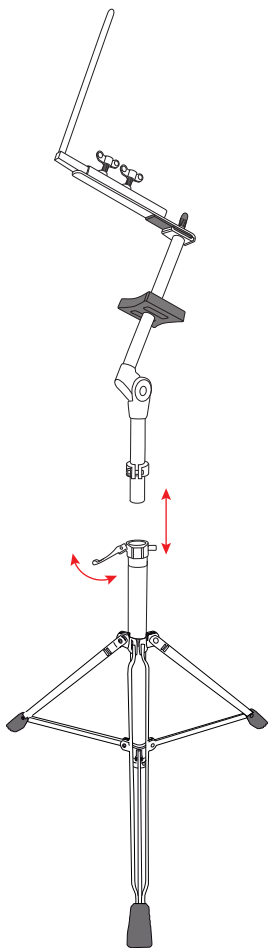




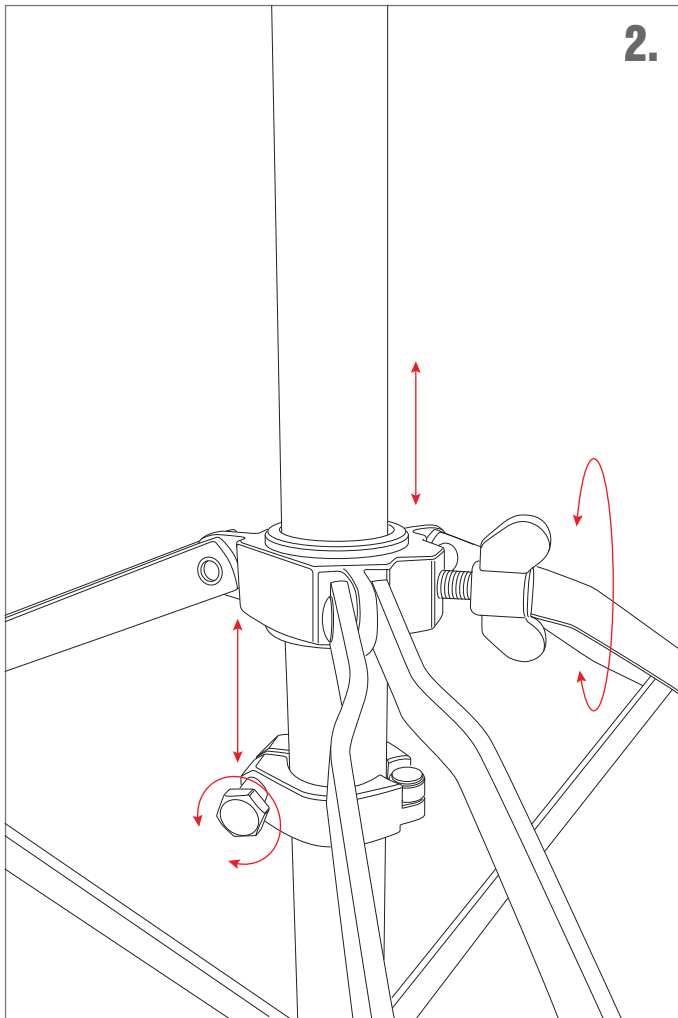
ASSEMBLY INSTRUCTION

PROFESSIONAL TIMBALE STAND TMPT

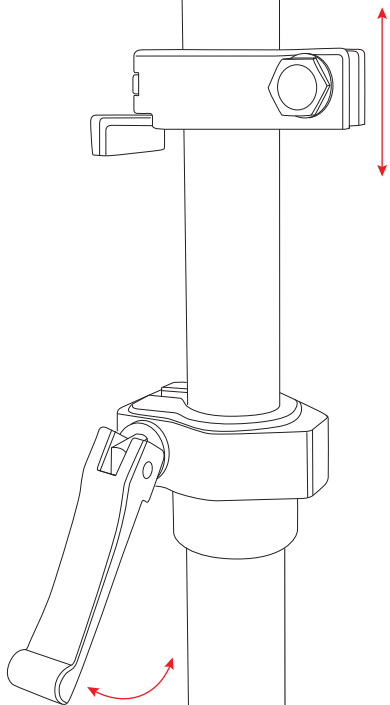
1.



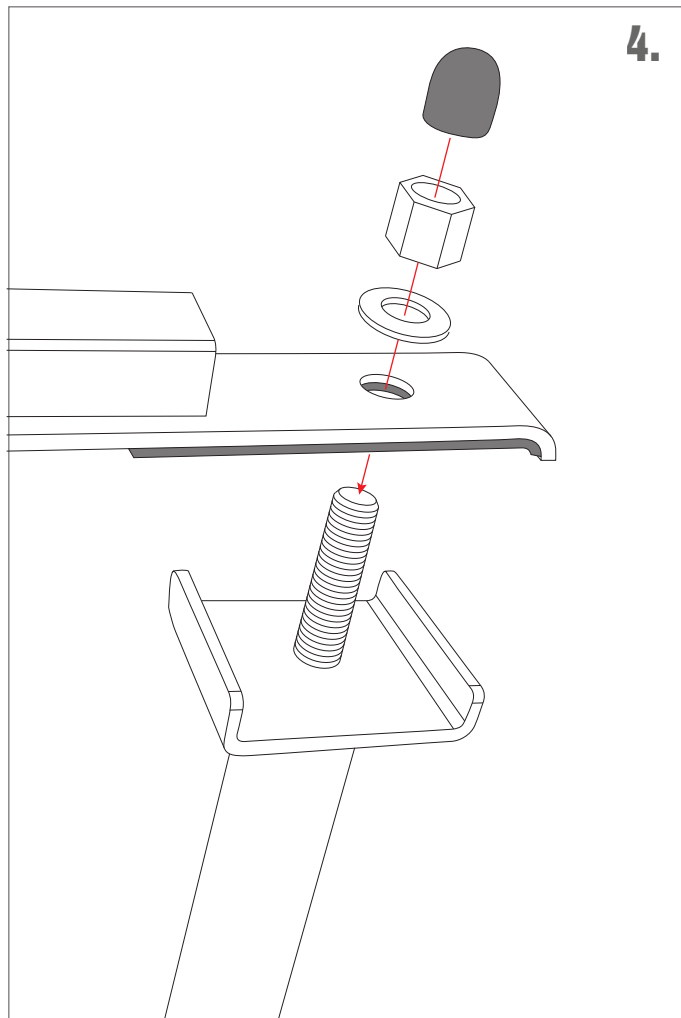
2.



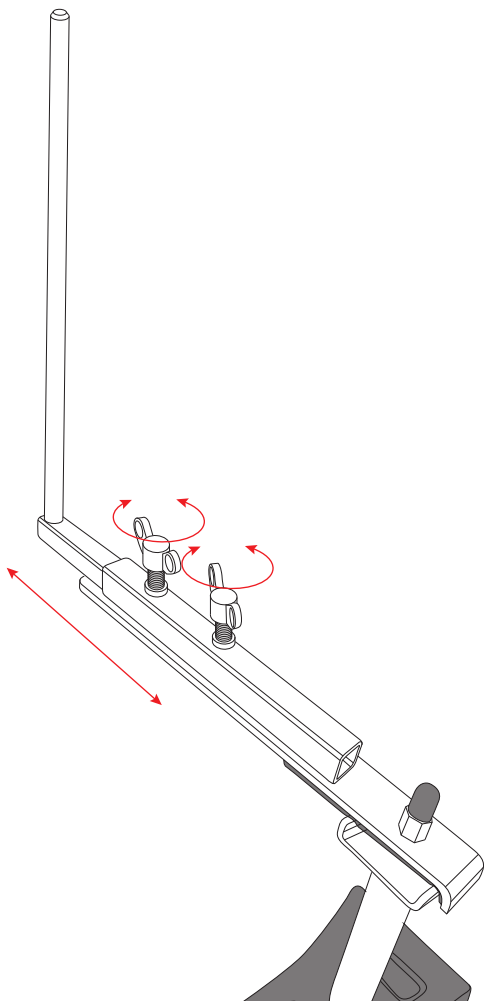
3.



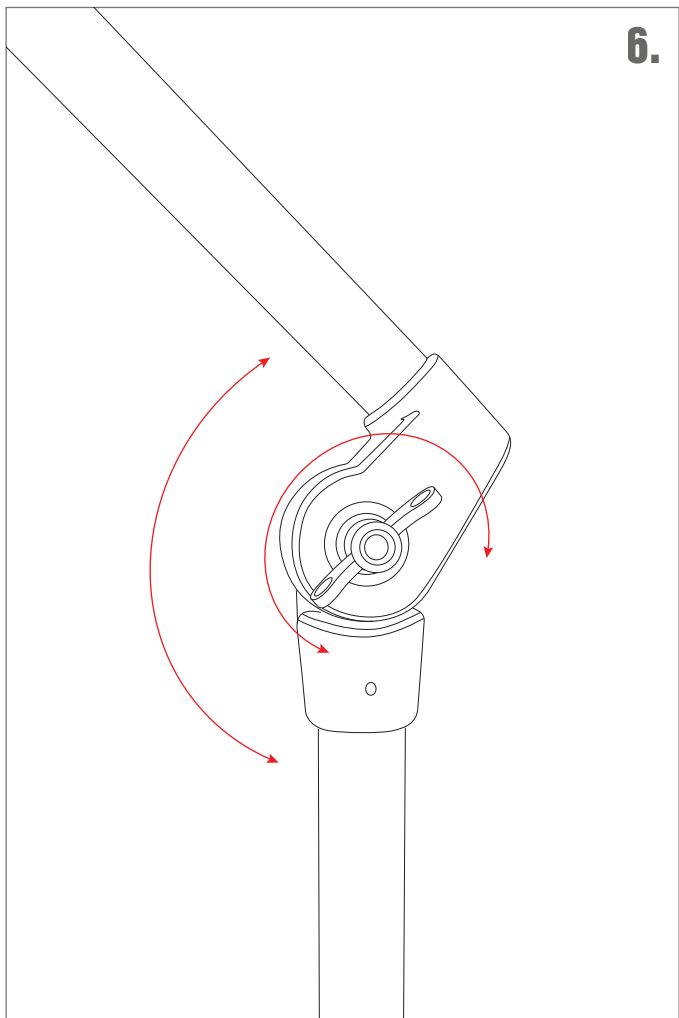
4.



5.



6.







PROFESSIONAL TIMBALE STAND

TMPT

- Heavy duty double braced tripod base
- Height and angle adjustable
- Standard mounting rod for auxiliary percussion

Roland Meinl Musikinstrumente GmbH & Co. KG
Musik-Meinl-Str. 1, 91468 Gutenstetten, Germany
info@meinlpercussion.com
meinlpercussion.com