

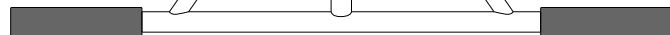
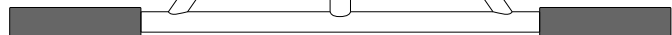
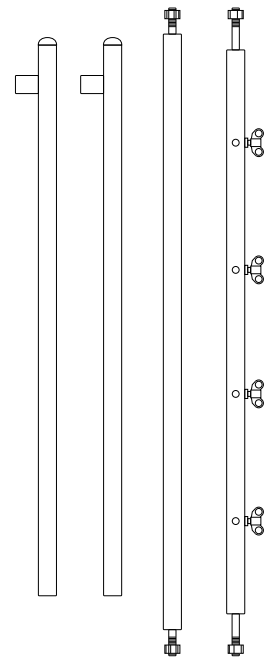
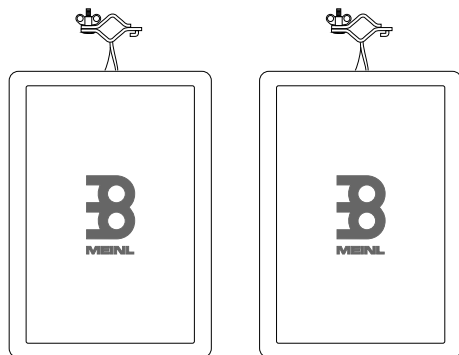
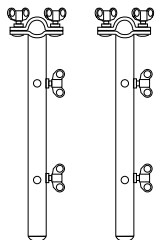
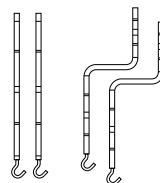
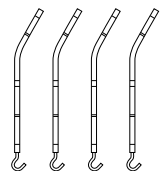


ASSEMBLY INSTRUCTION

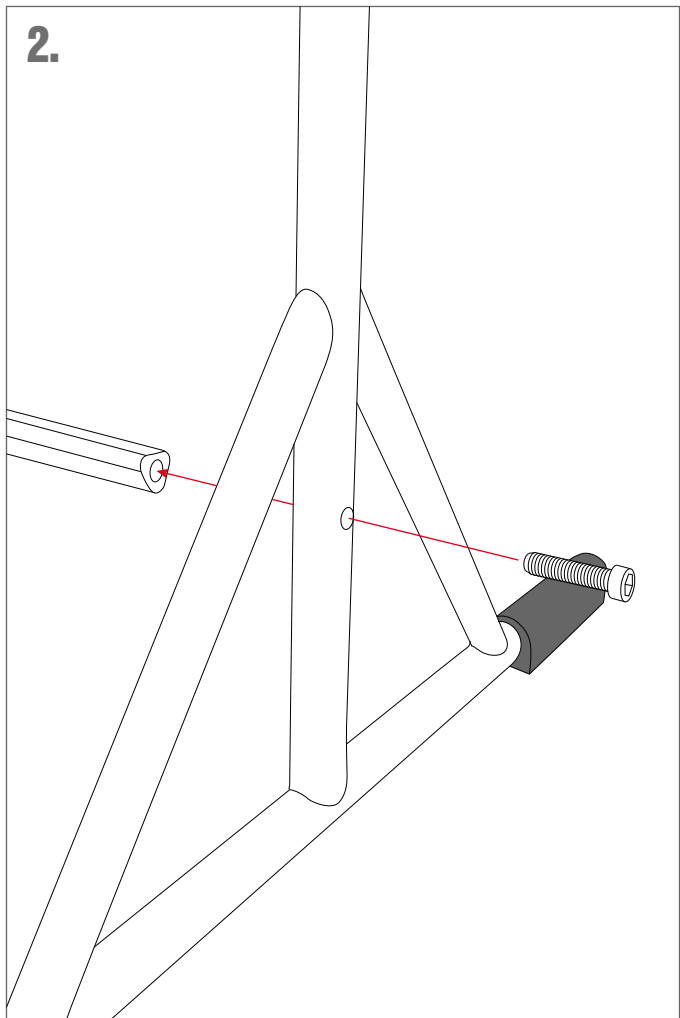
PERCUSSION WORKSTATION

TMPWS

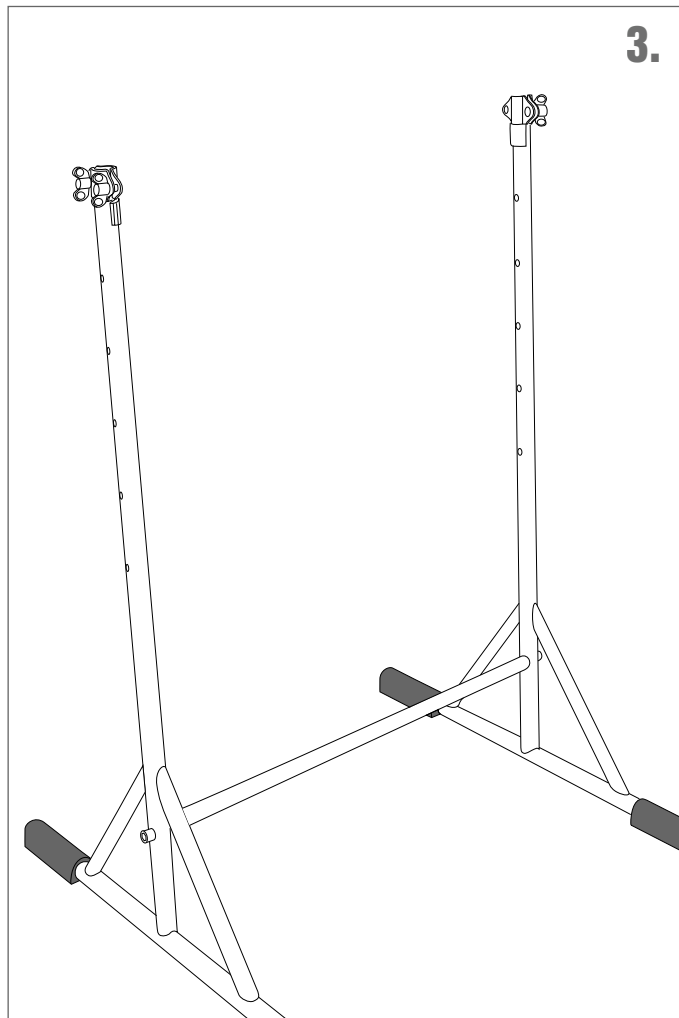
1.



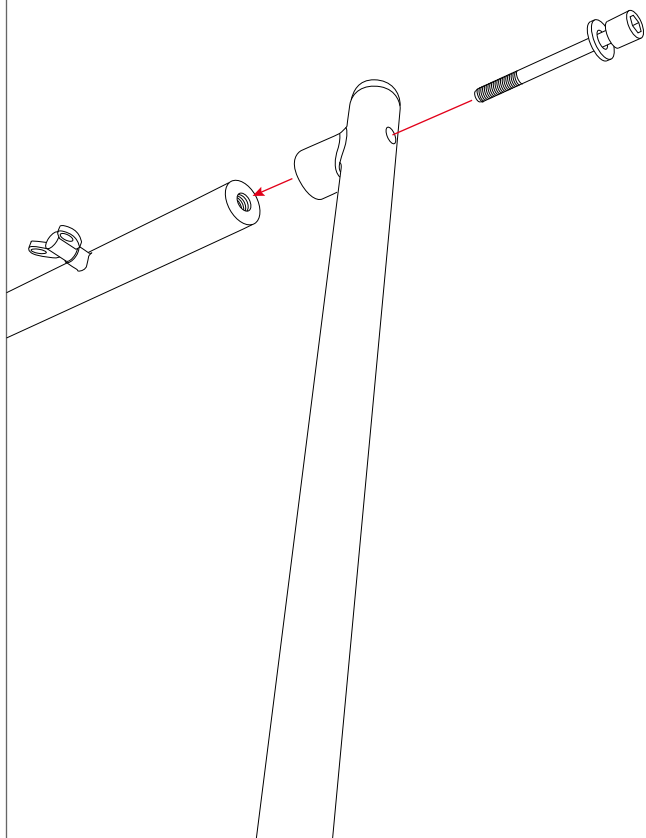
2.



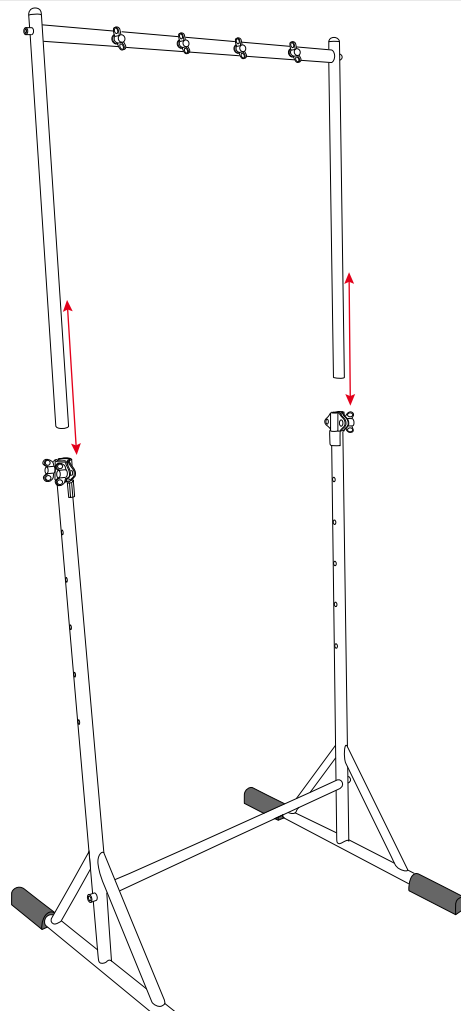
3.



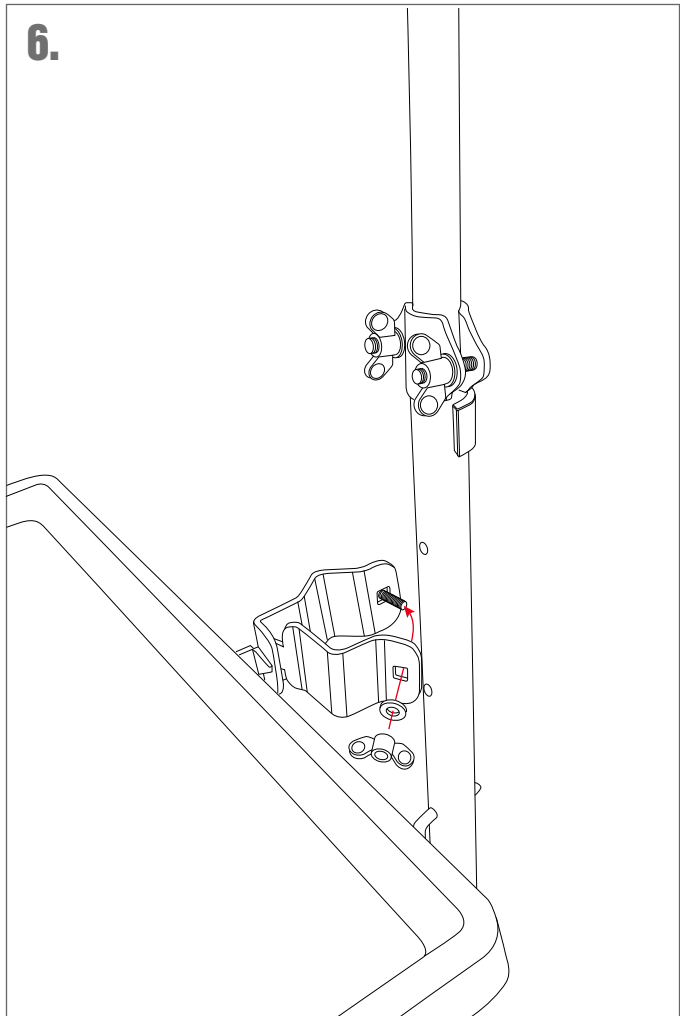
4.



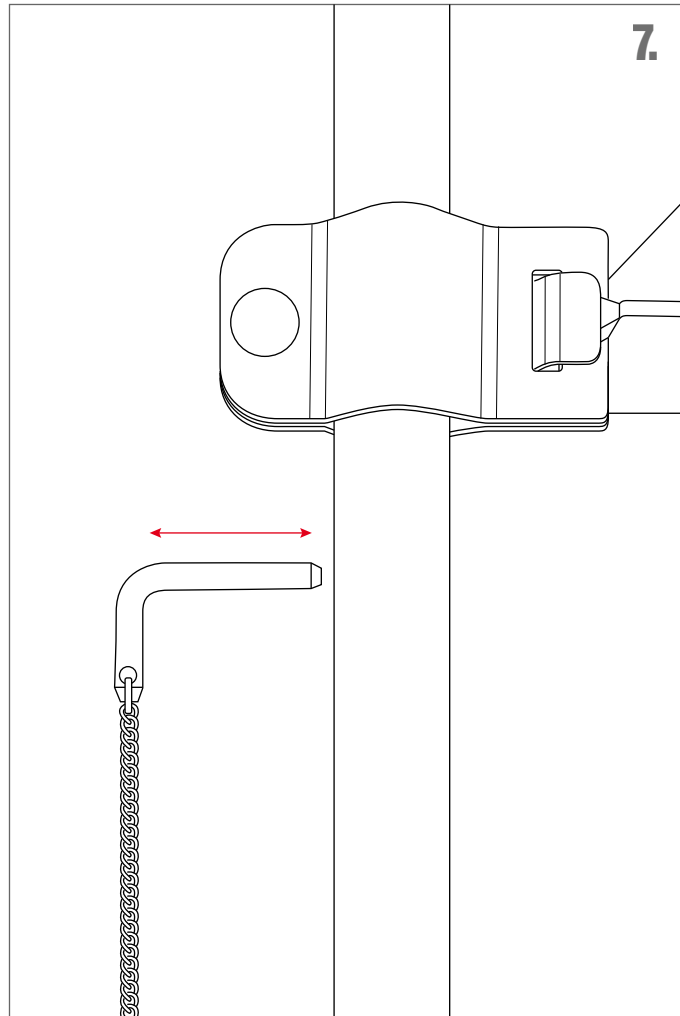
5.



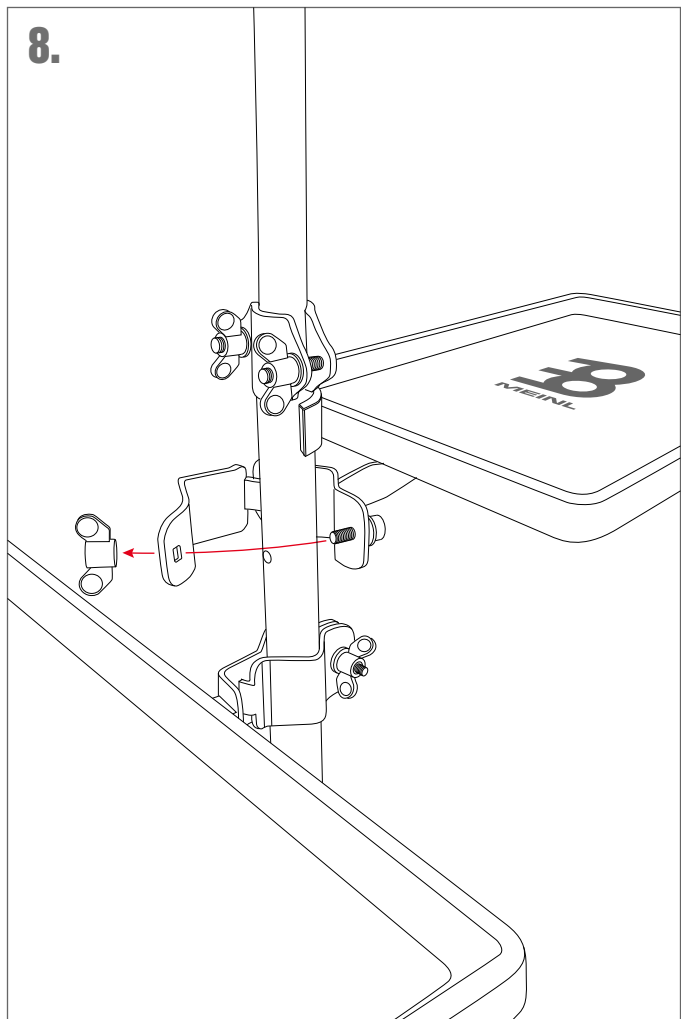
6.



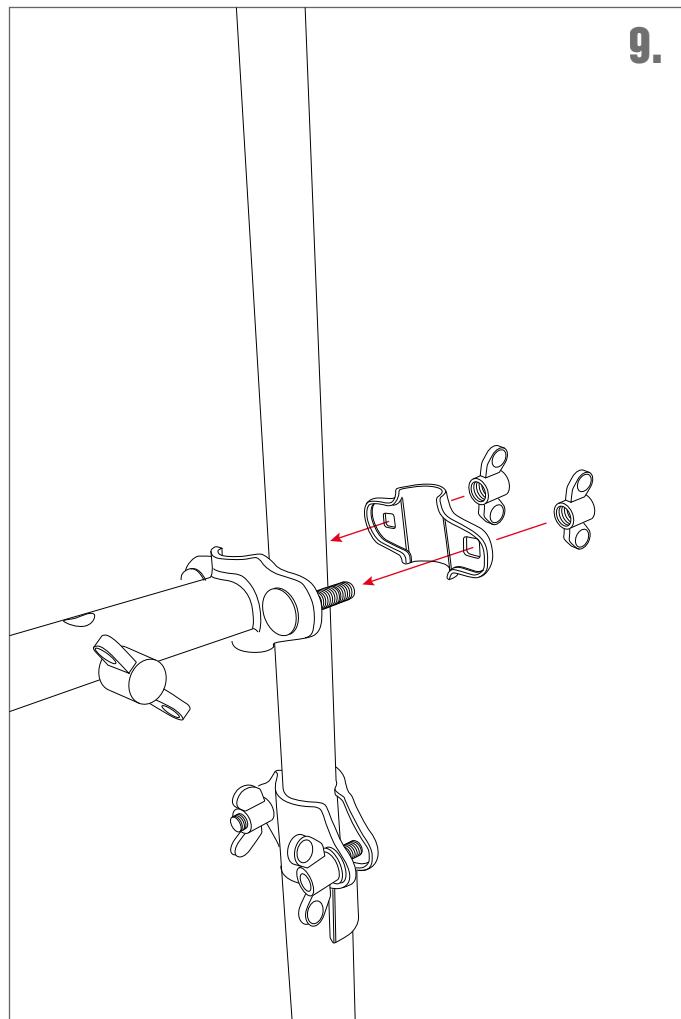
7.



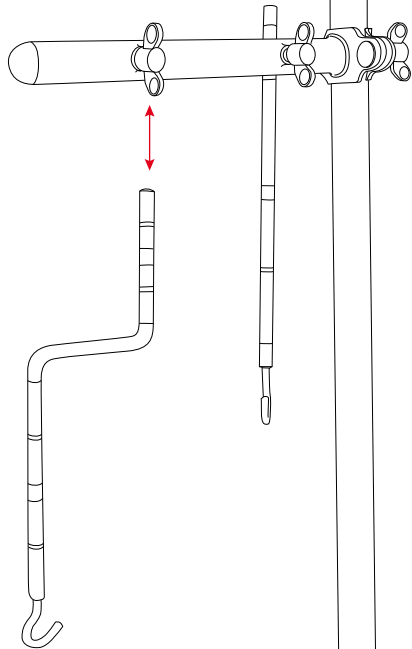
8.



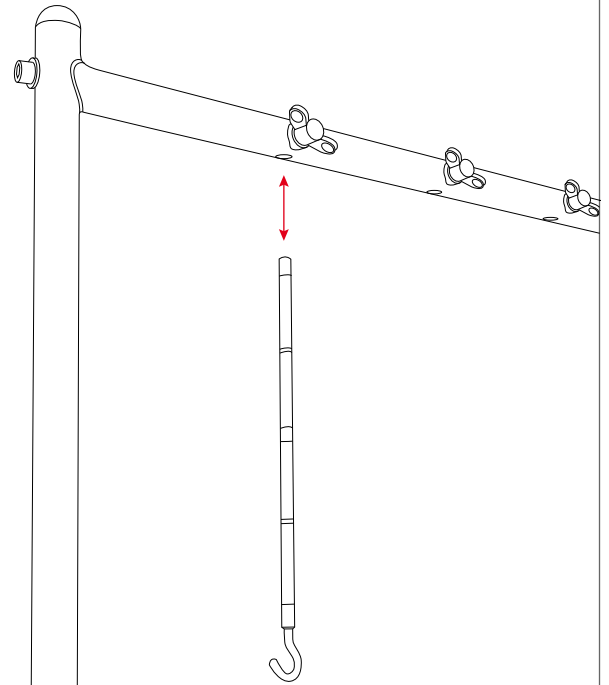
9.

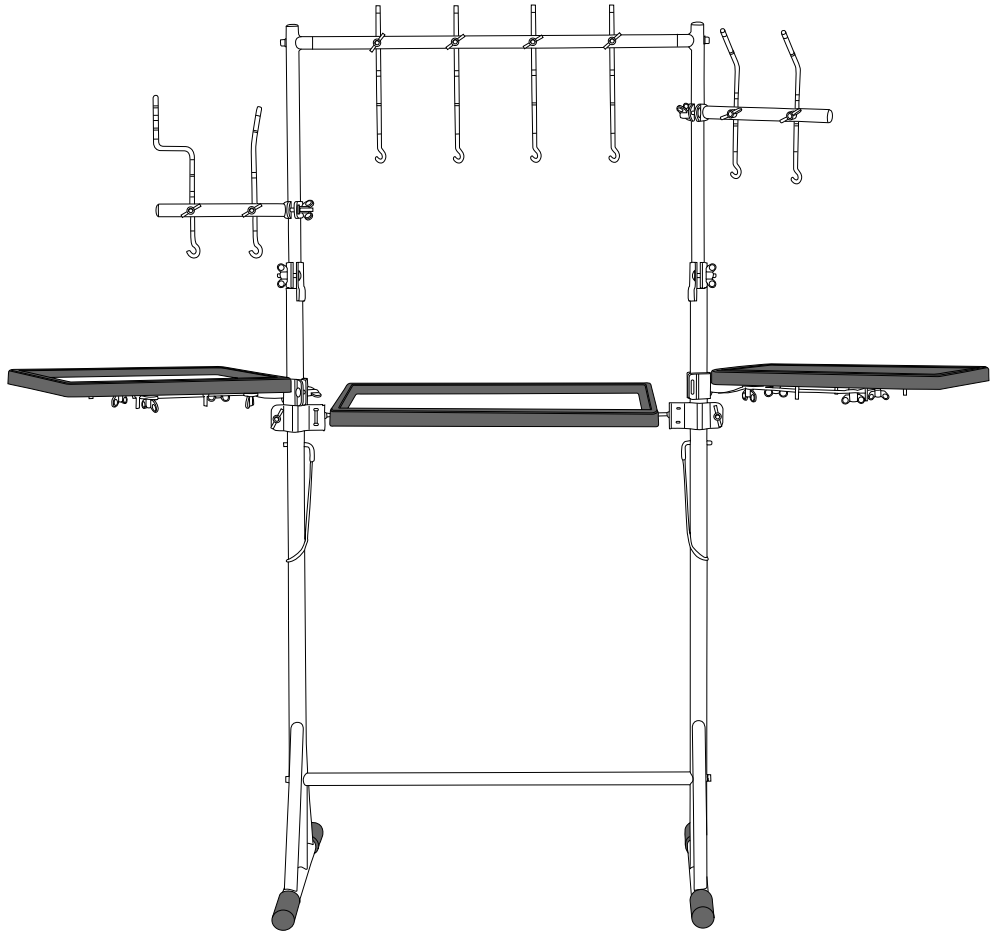


10.



11.







PERCUSSION WORKSTATION

TMPWS

When it comes to ease of access and playability, the MEINL Percussion Workstation is the ultimate solution. Made with great attention to detail, the MEINL Percussion Workstation has been designed to be customized according to the player's demand. With the majority of its colour being black, the MEINL Percussion Workstation will blend in nicely with the overall stage design and won't interfere with the lighting and design engineers' concepts.

- Fabric anti-slip surface
- Fully height adjustable
- Double braced tripod legs

Roland Meinl Musikinstrumente GmbH & Co. KG
Musik-Meinl-Str. 1, 91468 Gutenstetten, Germany
info@meinlpercussion.com
meinlpercussion.com